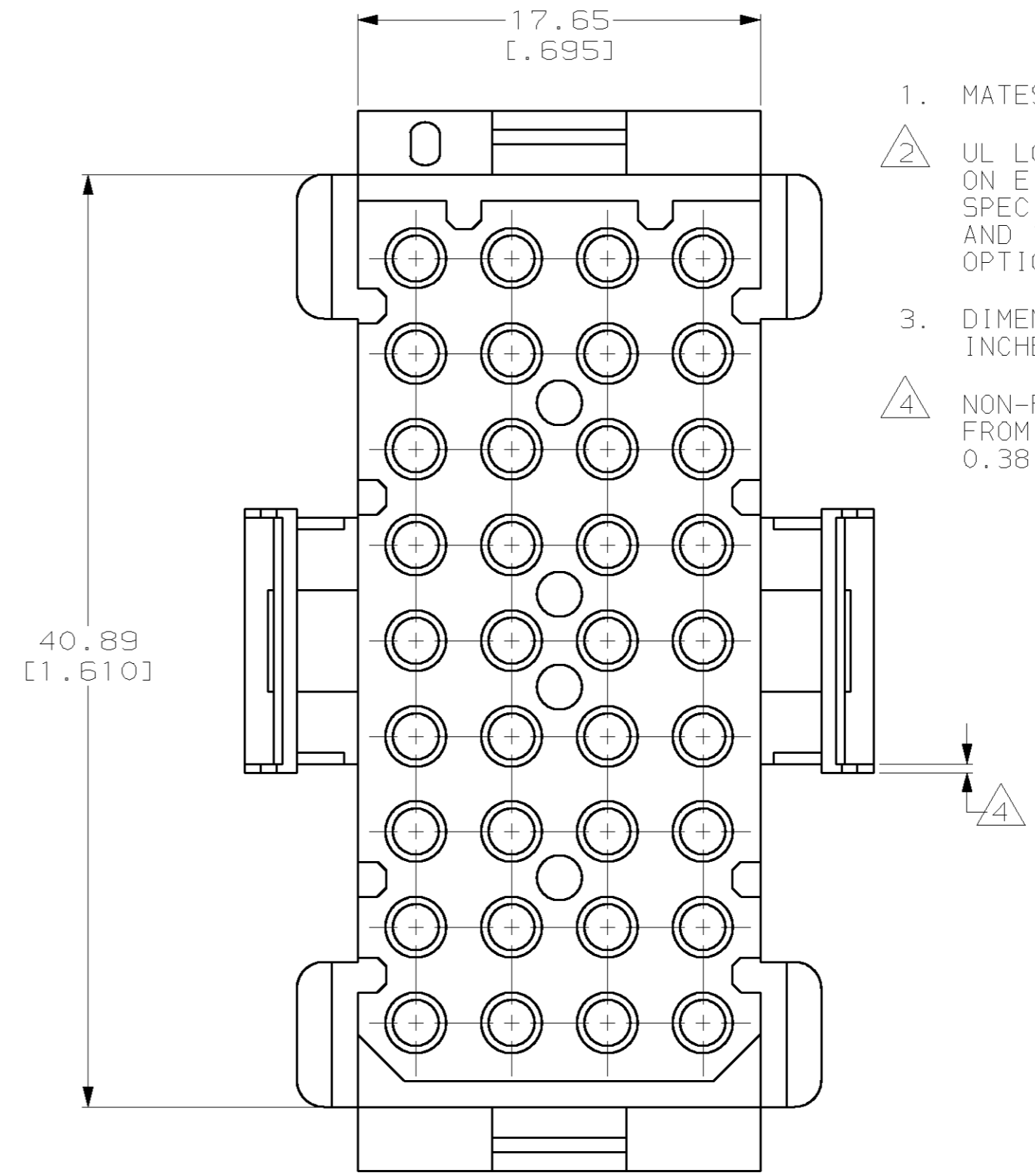
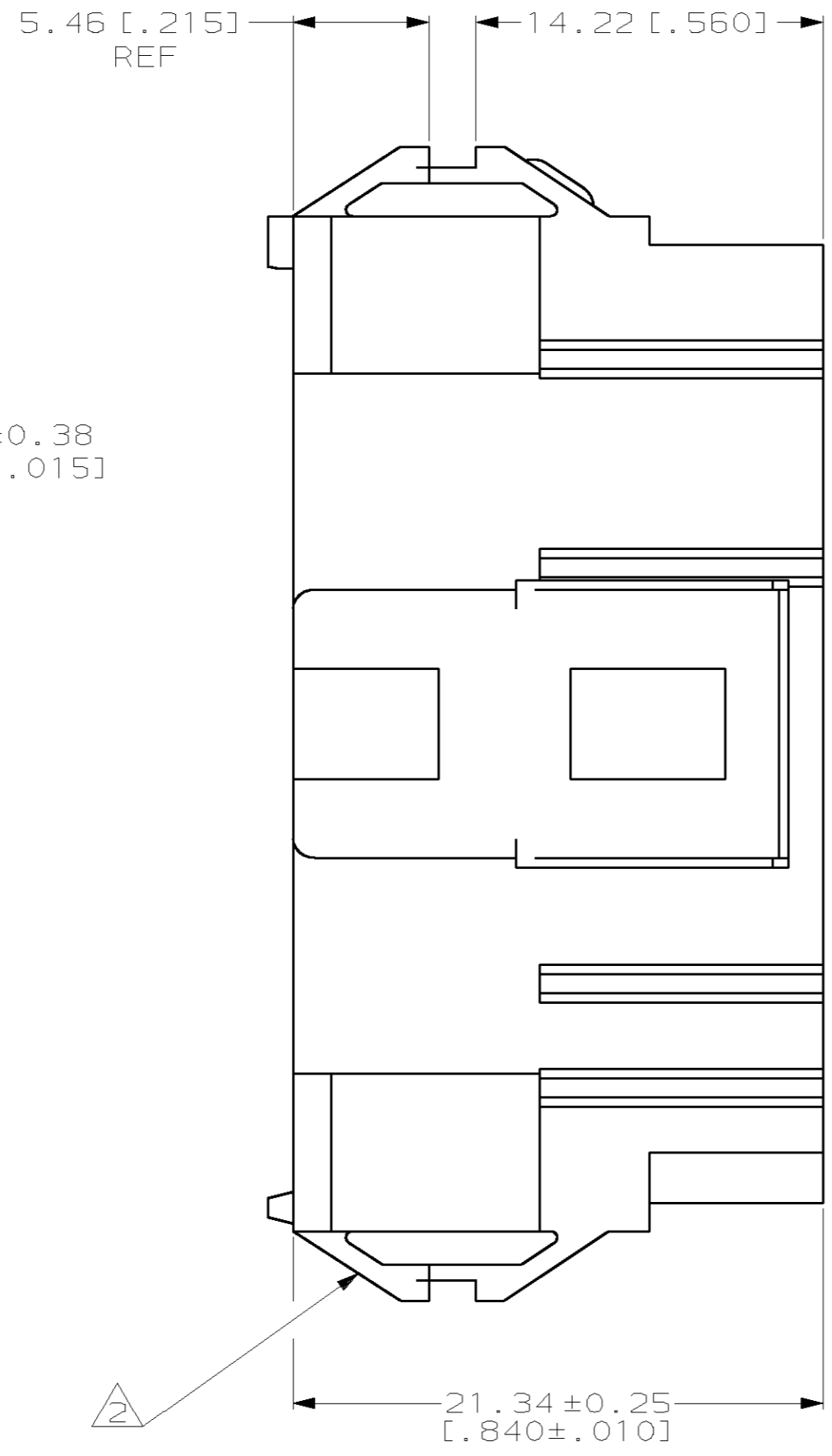
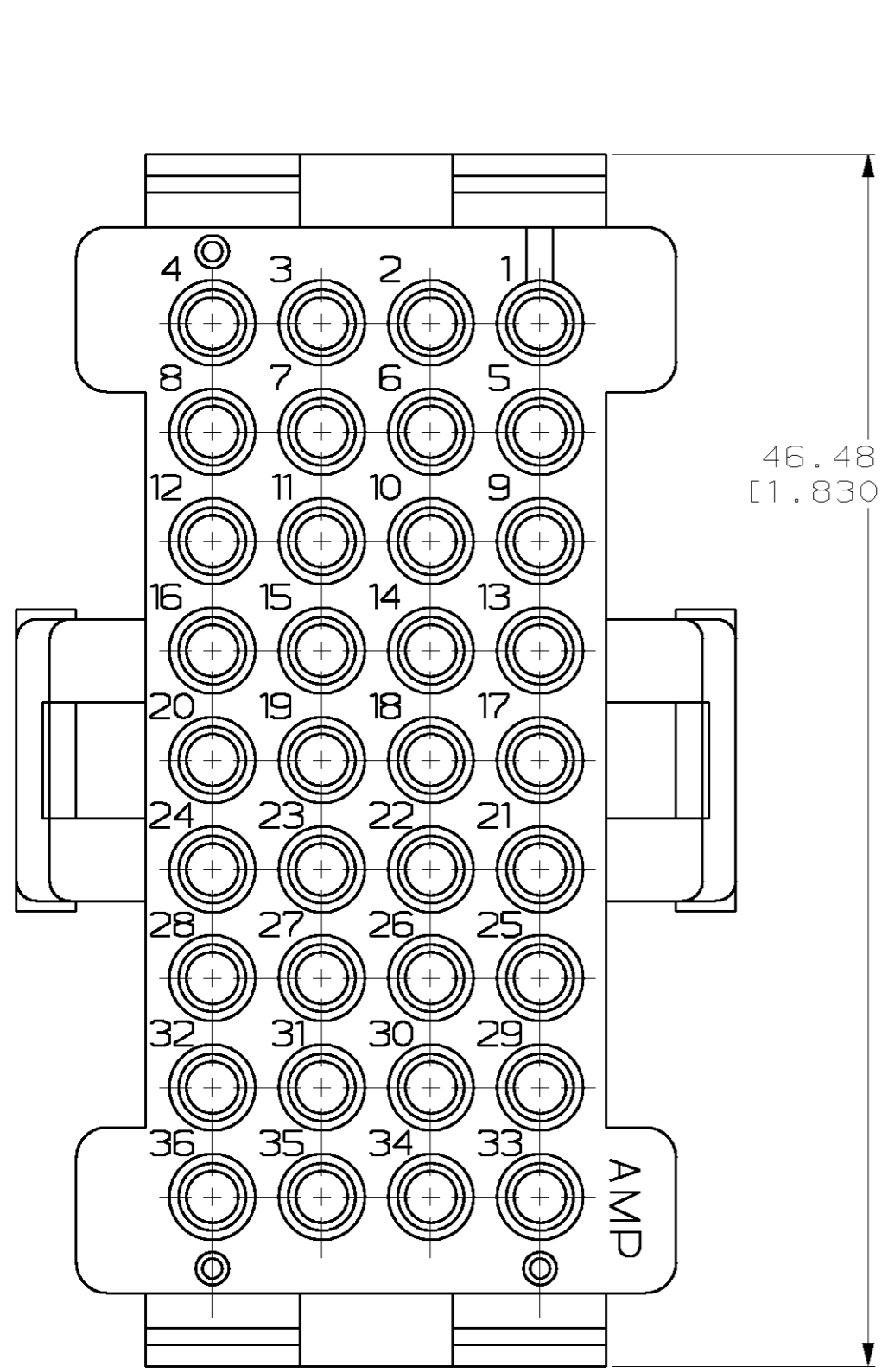
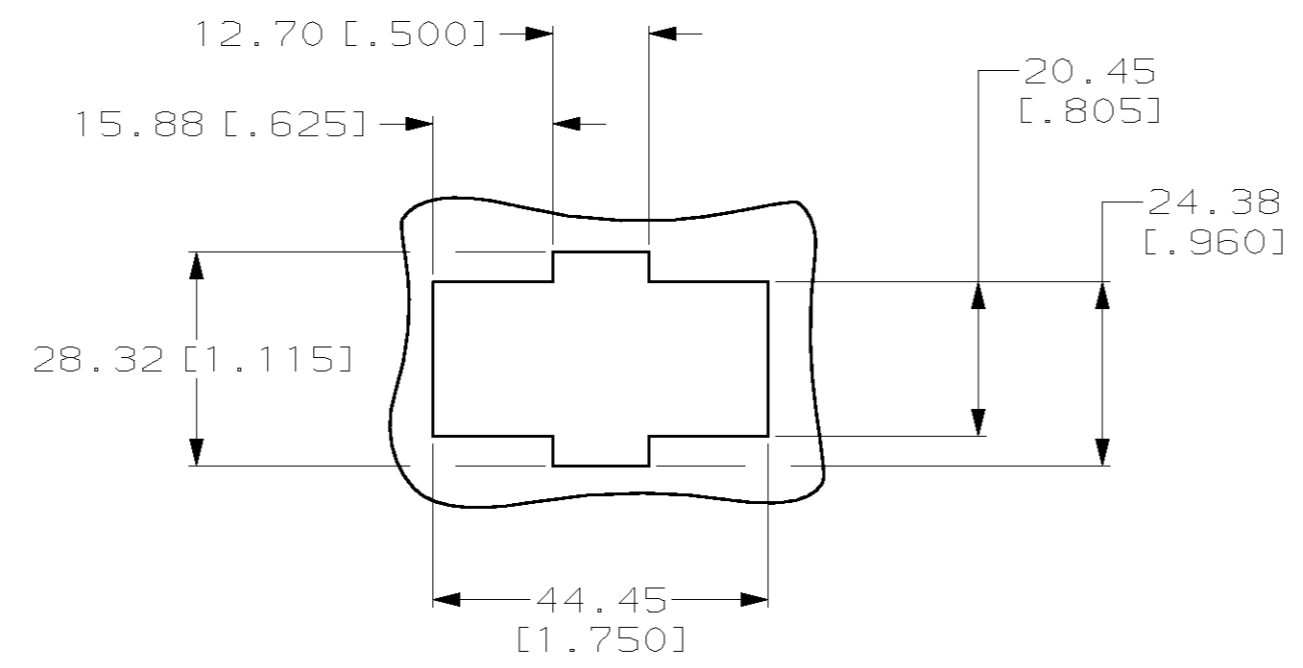
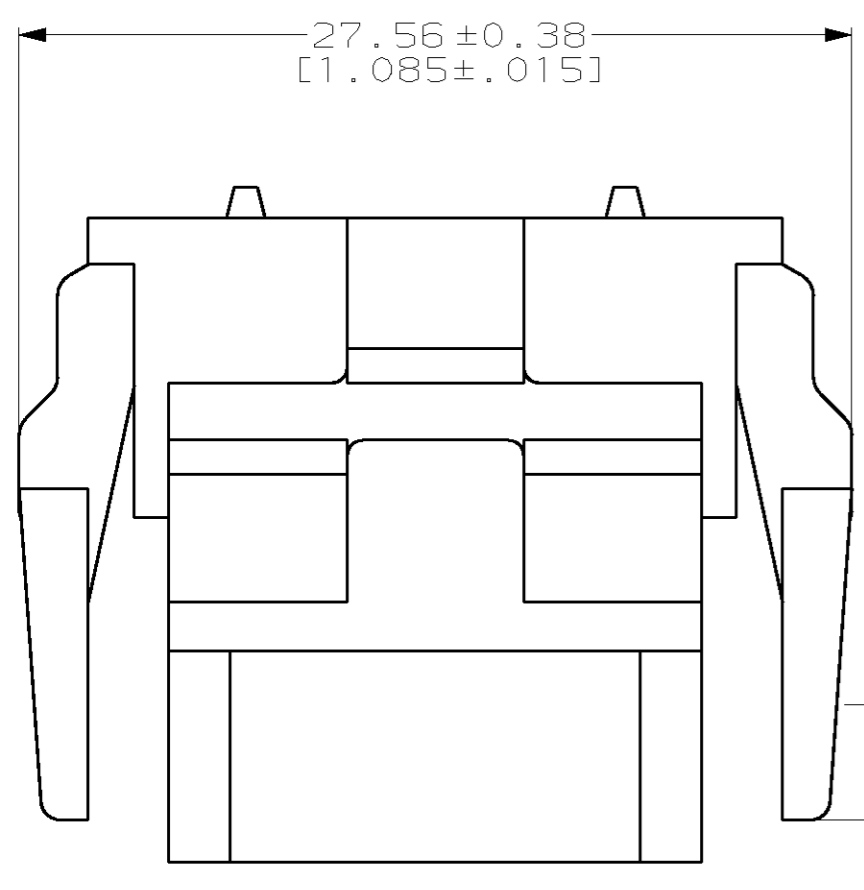


THIS DRAWING IS UNPUBLISHED. RELEASED FOR PUBLICATION .19
 © COPYRIGHT 19 BY AMP INCORPORATED. ALL RIGHTS RESERVED.

LOC	DIST	REVISIONS			
P	LTR	DESCRIPTION	DATE	DWN	APVD
CM	52	E	REVISED PER EC 063B-0104-99	05-OCT-99	KW KC



- MATES WITH HOUSING 640516.
- UL LOGO AND CSA LOGO TO APPEAR ON EITHER LATCH SURFACE PER AMP SPEC 202-20, I.D. NO. 1-18838-3 AND 1-18839-3. FROST BACKGROUND OPTIONAL.
- DIMENSIONS IN BRACKETS ARE IN INCHES.
- NON-FILL PERMITTED UP TO 3.8[.15] FROM EDGE OF LATCH ARM ON THE 0.38[.015] THICK FLANGE, 4 PLC.



RECOMMENDED CUT OUT FOR 1.73[.068] MAX THICK PANEL
 SCALE 1:1



1-640526-0
 PART NUMBER

THIS DRAWING IS A CONTROLLED DOCUMENT.		DWN R. VESTAL 12-01-97	AMP Incorporated Harrisburg, PA 17105-3608
DIMENSIONS: mm [INCHES]		CHK R. SWING 12-01-97	
		APVD A. BEDDICK 12-01-97	
TOLERANCES UNLESS OTHERWISE SPECIFIED:		PRODUCT SPEC	NAME HOUSING, PLUG MRII 36 POSITION
0 PLC ±-		APPLICATION SPEC	SIZE A2
1 PLC ±-		WEIGHT	CAGE CODE 00779
2 PLC ±0.13[.005]		CUSTOMER DRAWING	DRAWING NO. C-640526
3 PLC ±-			SCALE 4:1
4 PLC ±-			SHEET 1 OF 1
ANGLES ±0°30'			REV E
FINISH -			
MATERIAL NYLON, UL 94V-0, NATURAL (BRICK RED)			

640526